

**PROVIDING
BRIGHTER
SOLUTIONS**



PRODUCT RANGE

LED SIGNAGE MODULE

Prime LED proudly presents a selection of assorted signage modules that suits perfectly to your needs and fits any kind of price range. All of our modules are guaranteed not only for outstanding quality, but also for their vivid and uniform lighting that will make your signs illuminate even brighter.



LED LIGHTING

Prime LED lighting selections which include a wide variety such as backlighting, rigid bars, strips and neon; can endure various weather conditions, which makes them ideal for outdoor lighting. Our LED lighting selections are longlasting.



POWER SUPPLY

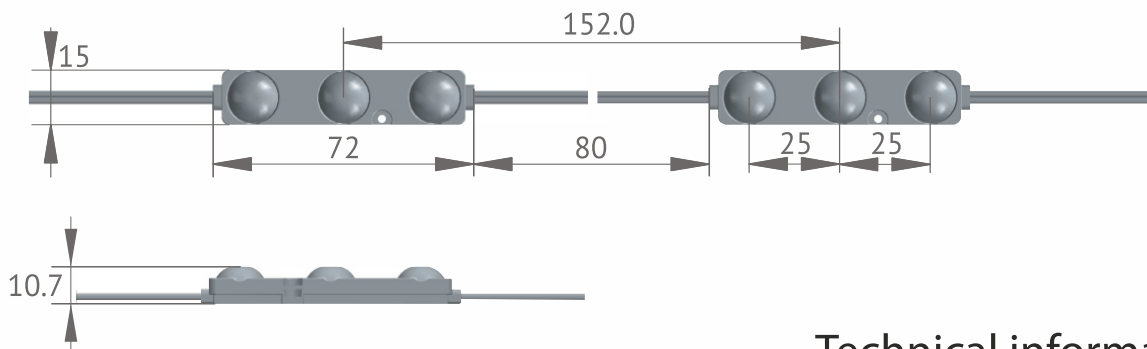
Prime LED power supply line comes in multiple wattage for wider range of choices, and serves as a great partner to LED modules. Our power supply line is highly efficient and incorporated with safety protection features.



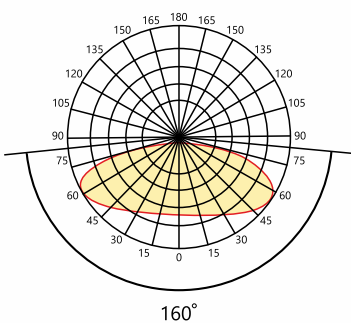


Solis Series

Dimensions (mm)



Light distribution graph

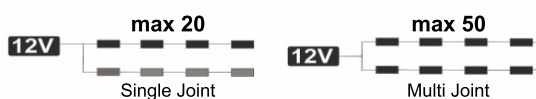


Technical information

Color temperature	3,000K/ 4,000K 6,500K/ 10,000K
Power	1.2w
Luminous per Watt	130 Lm
LED type	2835
Input	DC-12V
View angle	160°
Protection level	IP 68
Working temperature	-20°C to 60°C

Packing information

Packing type	Chain	Package	Box
Quantity	20 pcs	120 pcs	2400 pcs
Weight	0.194kg	1.30kg	28.43kg



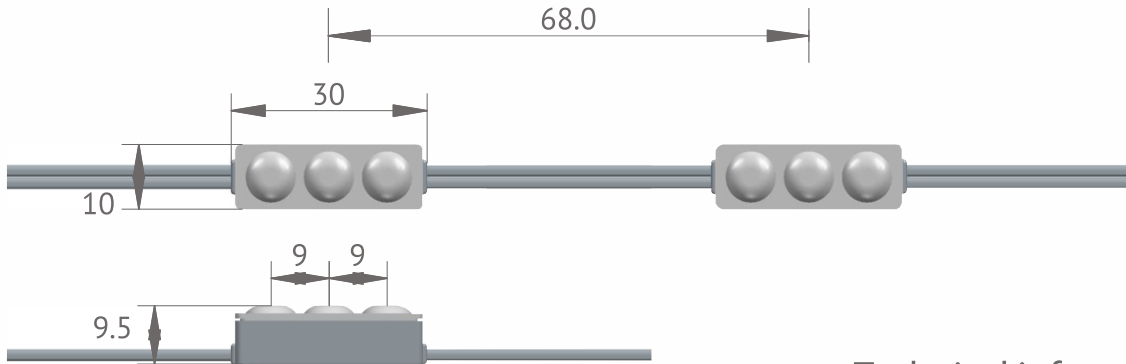
Structural table

Installation depth	Distance between centers	Quantity per 1 sq m	Power per 1 sq m
75 mm	152 mm	64 pcs	77 w
95 mm	152 mm	72 pcs	87 w
115 mm	152 mm	85 pcs	102 w
135 mm	152 mm	100 pcs	120 w



Solis Mini Series

Dimensions (mm)



Technical information

Colors available:



Luminous

25Lm 42Lm 14Lm 50Lm 75Lm

Power

0.45w

LED type

2835

Input

DC-12V

Color temperature

2,700K/ 3,000K/ 4,000K/
6,500K/ 10,000K/ NOVA WHITE

View angle

150°

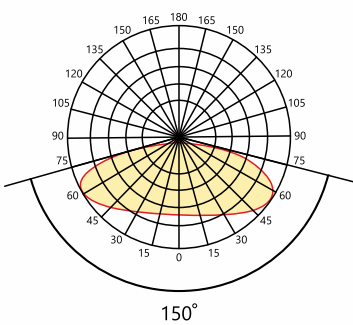
Protection level

IP 68

Working temperature

-20°C to 60°C

Light distribution graph



Packing information

Packing type	Chain	Package	Box
Quantity	30 pcs	600 pcs	6000 pcs
Weight	0.10kg	2.18kg	22.89kg



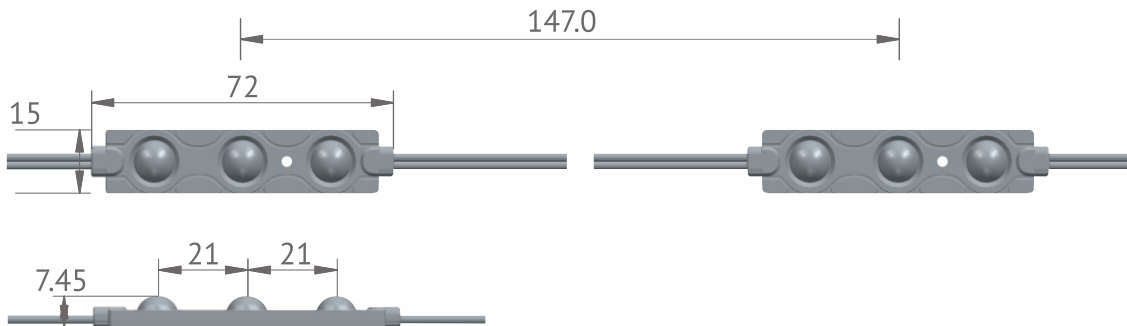
Structural table

Installation depth	Distance between centers	Quantity per 1 sq m	Power per 1 sq m
40 mm	60 mm	209 pcs	116 w
50 mm	75 mm	169 pcs	68 w
60 mm	75 mm	169 pcs	68 w
70 mm	75 mm	169 pcs	68 w

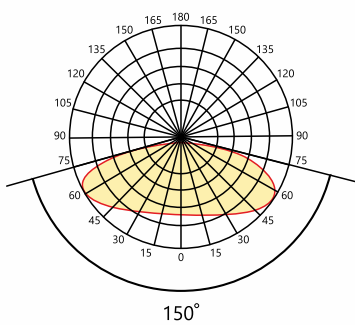


FOS Series

Dimensions (mm)



Light distribution graph



Technical information

Colors available:	● ● ● ● ○
Luminous	48Lm 104Lm 30Lm 105Lm 180Lm
Power	1.5w
LED type	2835
Input	DC-12V
Color temperature	3,000K/ 4,000K 6,500K/ 10,000K/ NOVA White
View angle	150°
Protection level	IP 65
Working temperature	-20°C to 60°C

Packing information

Packing type	Chain	Package	Box
Quantity	20 pcs	200 pcs	4000 pcs
Weight	0.18kg	1.94kg	40.23kg



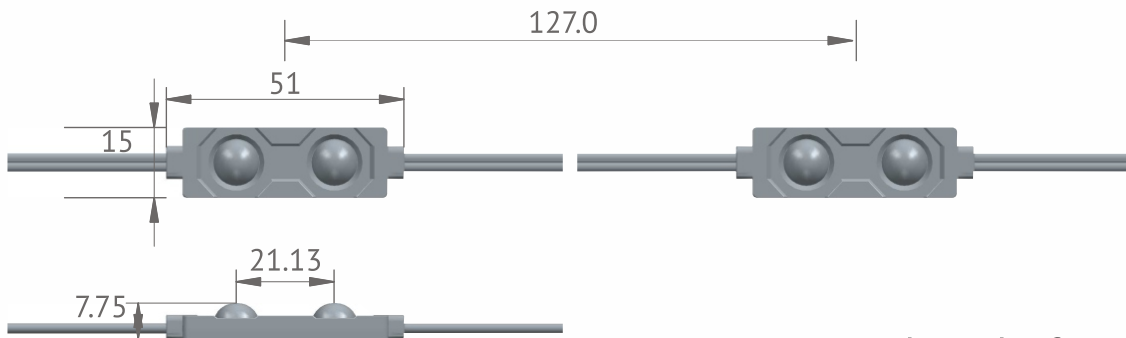
Structural table

Installation depth	Distance between centers	Quantity per 1 sq m	Power per 1 sq m
75 mm	158 mm	64 pcs	77 w
95 mm	158 mm	72 pcs	87 w
115 mm	158 mm	85 pcs	102 w
135 mm	158 mm	100 pcs	120 w



FOS Mini Series

Dimensions (mm)



Technical information

Colors available:



Luminous

32Lm 70Lm 22Lm 70Lm 130Lm

Power

1.02w

LED type

2835

Input

DC-12V

Color temperature

3,000K/ 4,000K
6,500K/ 10,000K/ NOVA White

View angle

150°

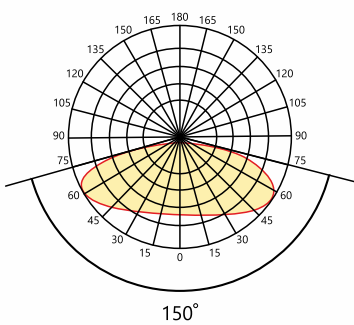
Protection level

IP 65

Working temperature

-20°C to 60°C

Light distribution graph



Packing information

Packing type	Chain	Package	Box
Quantity	20 pcs	200 pcs	2000 pcs
Weight	0.13kg	1.48kg	14.94kg

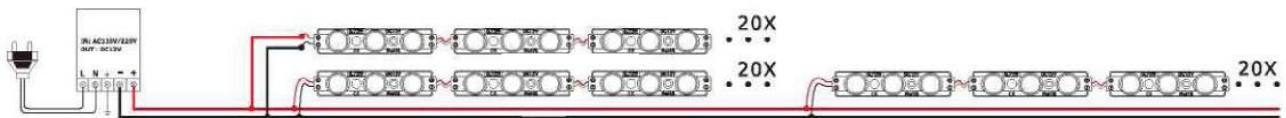
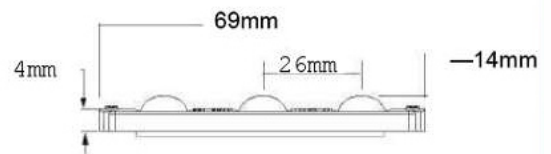
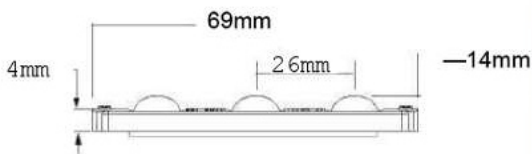


Structural table

Installation depth	Distance between centers	Quantity per 1 sq m	Power per 1 sq m
75 mm	137 mm	76 pcs	78 w
95 mm	137 mm	92 pcs	94 w
115 mm	137 mm	110 pcs	112 w
135 mm	137 mm	130 pcs	133 w



RGB Series



Model	RGB 3 SMD
LM/Pcs	55
Power	0.72W
Qty. String	20 pcs / string
Operating Temp.	-10 degree celsius to +50 degree celsius
Size	72*16*6.2 mm



Prime Neon



Features :

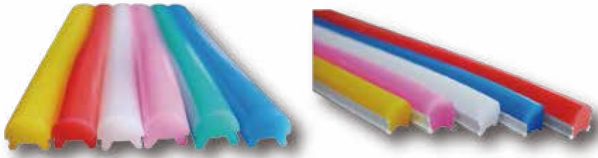
- PRIME Neon is a highly luminous, and eye-catching addition to any business front that will make a big difference to its visibility.
- Provides high flexibility leading to designing freedom.
- Energy-efficient to run.
- Wide operating range in different dimensions.
- Long life span.

Specifications :

Product Specifications / Thickness	6*12MM	6*12MM	6*12MM	6*12MM	8*16MM	8*16MM	8*16MM	8*16MM
Colour	White/ WW/ Red/ Blue/ Ice Blue/ Pink/ Purple/ Yellow/ Orange / Green/ Mars Green	White/ WW/ Red/ Blue/ Ice Blue/ Pink/ Purple/ Yellow/ Orange / Green/ Mars Green	White/ WW/ Red/ Blue/ Ice Blue/ Pink/ Purple/ Yellow/ Orange / Green/ Mars Green	White/ WW/ Red/ Blue/ Ice Blue/ Pink/ Purple/ Yellow/ Orange / Green/ Mars Green	White/ WW/ Red/ Blue/ Ice Blue/ Pink/ Purple/ Yellow/ Orange / Green/ Mars Green	White/ WW/ Red/ Blue/ Ice Blue/ Pink/ Purple/ Yellow/ Orange / Green/ Mars Green	White/ WW/ Red/ Blue/ Ice Blue/ Pink/ Purple/ Yellow/ Orange / Green/ Mars Green	White/ WW/ Red/ Blue/ Ice Blue/ Pink/ Purple/ Yellow/ Orange / Green/ Mars Green
Meters	5M	5M	50M	50M	5M	5M	50M	50M
Cut/Cm	2.5Cm/Cut	1Cm/Cut	2.5Cm/Cut	1Cm/Cut	2.5Cm/Cut	1Cm/Cut	2.5Cm/Cut	1Cm/Cut
DC (V)	DC12V	DC12V	DC12V	DC12V	DC12V	DC12V	DC12V	DC12V
Material	100% Silicon	100% Silicon	100% Silicon	100% Silicon	100% Silicon	100% Silicon	100% Silicon	100% Silicon
Warranty	2 YRS	2 YRS	2 YRS	2 YRS	2 YRS	2 YRS	2 YRS	2 YRS
Wattage/M	9W/M	9W/M	9W/M	9W/M	9W/M	9W/M	9W/M	9W/M
LED Type	SMD 2835	SMD 2835	SMD 2835	SMD 2835	SMD 2835	SMD 2835	SMD 2835	SMD 2835
LED Quantity	120 LED/M	120 LED/M	120 LED/M	120 LED/M	120 LED/M	120 LED/M	120 LED/M	120 LED/M



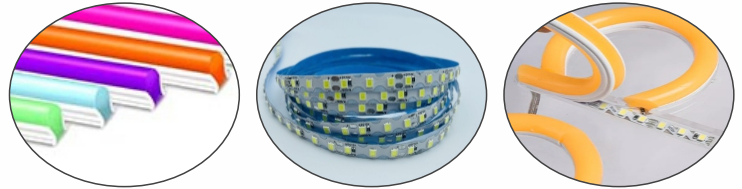
LED Neon 2nd Generation



Hardness,5S	65±5A
Aging retention rate	>80%
Flame Class	94-V1
UV resistance	4.0-5.0
Melt Index (160 °C/5kg)	3-10

NEON Tube

Zigzag strip



Category	Modified Silica gel Neon strip	Normal Silicone Neon strip
Flame Class	94-V1	94-V0
UV Resistance	4.0-5.0	4.0
Dust Adsorption	NO	YES
Resistant to Formaldehyde	NO	YES
Heat dissipation	Excellent	Excellent
Waterproof	YES	NO
Enviromental	YES	YES

Product Specifications / Thickness	Colour	Meters	Cut/Cm	DC (V)	Material	Warranty	Wattage/M	LED Type	LED Quantity
6*10MM	White/ WW/ Red/ Blue/ Ice Blue/ Pink/ Purple/ Yellow/ Orange / Green/ Mars Green	50M	2.5cm/Cut	DC12V	100% Silicon	2 YRS	9W/M	SMD 2835	120 LED/M
8*10MM	White/ WW/ Red/ Blue/ Ice Blue/ Pink/ Purple/ Yellow/ Orange / Green/ Mars Green	50M	2.5cm/Cut	DC12V	100% Silicon	2 YRS	9W/M	SMD 2835	120 LED/M

LED STRIPS

Features :

- Sourced by high output 2835/5050/3030 LED with good colour conformity.
- Wide colour temperatures available from 3000-10000K.
- 360 degrees bendable, both vertically and horizontally.
- Cuttable after every 3 LEDs.
- Ce, RoHS and UL certified.
- Applications: City Lighting, landscape lighting, commercial lighting and house contour lighting.

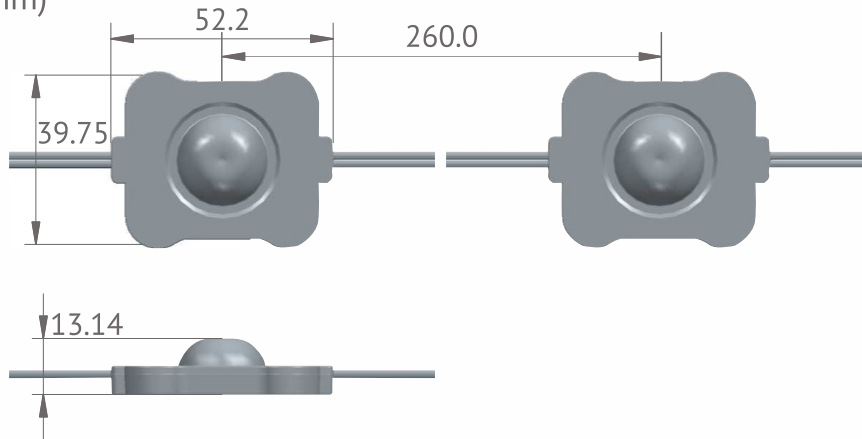
Product Specifications / Thickness	4MM	5MM	6.5MM(S Type)	6.8MM(S Type)	10MM(S Type)
Colour	White/ WW/ Red/ Blue/ Ice Blue/ Pink/ Purple/ Yellow/ Orange / Green/ Mars Green	White/ WW/ Red/ Blue/ Ice Blue/ Pink/ Purple/ Yellow/ Orange / Green/ Mars Green	White/ WW/ Red/ Blue/ Ice Blue/ Pink/ Purple/ Yellow/ Orange / Green/ Mars Green	White/ WW/ Red/ Blue/ Ice Blue/ Pink/ Purple/ Yellow/ Orange / Green/ Mars Green	White/ WW/ Red/ Blue/ Ice Blue/ Pink/ Purple/ Yellow/ Orange / Green/ Mars Green
PCB Width	8MM, 4MM	5MM	5MM	10MM	5MM
No. of LED/meter	120/240	60/120	60/120	60	20
Lumen/meter	1680/3360LM	840/1680LM	840/1680LM	1140LM	1600LM
Warranty	2 YRS	2 YRS	2 YRS	2 YRS	2 YRS
Watts	72W/Roll	150/Roll/10m	150/Roll/10m	72W/Roll	72W/Roll
LED Type	SMD 2835	SMD 2835	SMD 2835	SMD 5050	SMD 3030
Lumen/LED	14LM	14LM	14LM	19LM	80LM



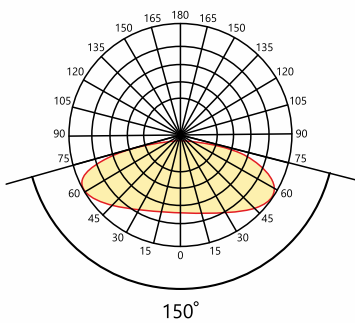
Crystal Series

(AC POWER DIRECT TO PLUG)

Dimensions (mm)



Light distribution graph



Technical information

Color temperature	3,000K/ 10,000K
Power	3w
Luminous per Watt	130 Lm
LED type	2835
Input	AC-240V
View angle	150°
Protection level	IP 65
Working temperature	-20°C to 60°C

Packing information

Packing type	Chain	Package	Box
Quantity	13 pcs	78 pcs	1560 pcs
Weight	0.22kg	1.41kg	29.89kg

Structural table

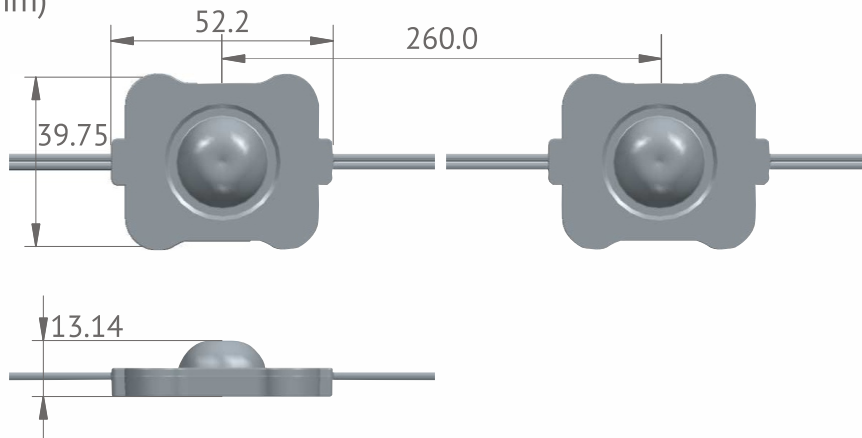
Installation depth	Distance between centers	Quantity per 1 sq m	Power per 1 sq m
125 mm	260 mm	19 pcs	57 w
150 mm	260 mm	23 pcs	69 w
175 mm	260 mm	28 pcs	84 w
200 mm	260 mm	33 pcs	99 w



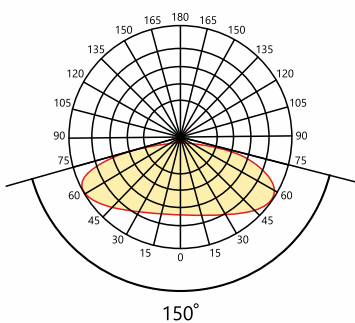
Crystal Series

(DC POWER)

Dimensions (mm)



Light distribution graph

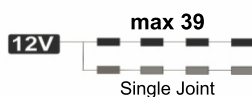


Technical information

Color temperature	3,000K/ 10,000K
Power	2.5w
Luminous per Watt	130 Lm
LED type	2835
Input	AC-240V
View angle	150°
Protection level	IP 65
Working temperature	-20°C to 60°C

Packing information

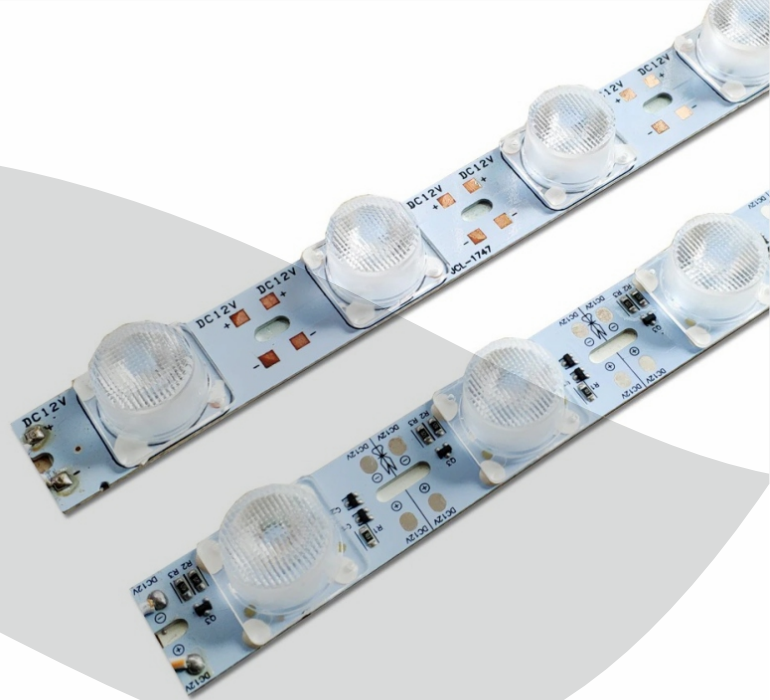
Packing type	Chain	Package	Box
Quantity	13 pcs	78 pcs	1560 pcs
Weight	0.22kg	1.41kg	29.89kg



Structural table

Installation depth	Distance between centers	Quantity per 1 sq m	Power per 1 sq m
125 mm	260 mm	20 pcs	50 w
150 mm	260 mm	25 pcs	63 w
175 mm	260 mm	30 pcs	75 w
200 mm	260 mm	36 pcs	90 w

Light Box Light Source

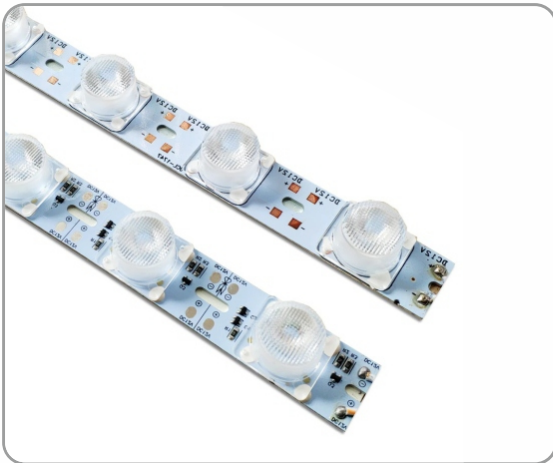


Waterproof Style



Item :	WATERPROOF LED Light Strip
Size (mm) :	950*18.0*4.8
Voltage :	12V/DC
Power :	14.4W
Luminous Flux :	1200Lm
Luminous Efficiency :	100LM/W
CRI :	≥80
Beam Angle :	170°
Waterproof :	Ip65
LED Bead :	2838(10*30*3)

Side Light Source



Item :	WATERPROOF LED Light Strip
Size (mm) :	990*25.0*1.0
Voltage :	12V/DC
Power :	18W
Luminous Flux :	1200-2160Lm
Luminous Efficiency :	120LM/W
CRI :	≥80
Beam Angle :	45*15°
Waterproof :	IP20
Warranty(Year) :	2-Year
LED Bead :	2835



Indoor Series (A)

PRODUCT PARAMETER

IP20 A Series Switch -Power Supply

Model	Output power	Size(mm)	Input voltage	Output voltage (V)	Output current (mA)	Weight	Efficiency	Package
DY-60W-12-A DY-60W-24-A	60W	138*36*24	180V-265V	12V 24V	5.0A 2.5A	131g	87.00% 89.20%	120pcs/carton weight:16.2kg 43*20.5*24cm 0.021m
DY-100W-12-A DY-100W-24-A	100W	141*50*25	180V-265V	12V 24V	8.3A 4.2A	176g	88.00% 90.00%	60pcs/carton weight:10.8kg 30*27.5*18cm 0.0148m
DY-150W-12-A DY-150W-24-A	150W	181*50*25	180V-265V	12V 24V	12.5A 6.25A	230g	89.00% 92.40%	60pcs/carton weight:14.4kg 38*27.5*18cm 0.0188m
DY-200W-12-A DY-200W-24-A	200W	181*50*25	180V-265V	12V 24V	16.6A 8.33A	232g	89.00% 92.40%	60pcs/carton weight:15kg 38*27.5*18cm 0.0188m
DY-250W-12-A DY-250W-24-A	250W	196*60*29	180V-265V	12V 24V	20.8A 10.4A	376g	88.00% 92.00%	40pcs/carton weight:15kg 39.5*27*17cm 0.0181m
DY-300W-12-A DY-300W-24-A	300W	196*60*29	180V-265V	12V 24V	25.0A 12.5A	376g	88.00% 92.00%	40pcs/carton weight:15kg 39.5*27*17cm 0.0181m
DY-400W-12-A DY-400W-24-A	400W	217*60*29	180V-265V	12V 24V	33.3A 16.6A	427g	88.00% 92.00%	40pcs/carton weight:17.3kg 45.5*27*17cm 0.021m

Product Characteristics :

- Aluminum alloy shell, natural air cooling
- High dependability constant pressure mode output
- IP68 protection level,
can be used all day weather conditions
- 100% full load burn-in test
- Suitable for LED lighting
- Products passed CE,
RoHS certification
- 2 years warranty



Waterproof Outdoor Series (H)

Model	Output power	Size(mm)	Input voltage	Output voltage (V)	Output current (mA)	Weight	Efficiency	Package
DY-60W-12-H DY-60W-24-H	60W	150*38*21	110V-255V	12V 24V	5.0A 2.5A	0.2kg	86.00% 86.00%	78pcs/carton weight:16kg 49*29*17cm 0.024 m ³
DY-100W-12-H DY-100W-24-H	100W	195*53*19	110V-255V	12V 24V	8.3A 4.2A	0.33kg	86.00% 86.00%	50pcs/carton weight:17kg 49*29*17cm 0.024 m ³
DY-150W-12-H DY-150W-24-H	150W	215*60*24	110V-255V	12V 24V	12.5A 6.3A	0.35kg	86.00% 86.00%	50pcs/carton weight:18kg 49*29*17cm 0.024 m ³
DY-200W-12-H DY-200W-24-H	200W	215*60*24	110V-255V	12V 24V	16.6A 8.33A	0.55kg	86.00% 86.00%	32pcs/carton weight:18kg 49*29*16cm 0.0227 m ³
DY-250W-12-H DY-250W-24-H	250W	220*78*32	170V-265V	12V 24V	20.8A 10.4A	0.95kg	86.00% 86.00%	15pcs/carton weight:15kg 49*29*16cm 0.0227 m ³
DY-300W-12-H DY-300W-24-H	300W	220*78*32	170V-265V	12V 24V	25.0A 12.5A	0.95kg	86.00% 86.00%	15pcs/carton weight:15kg 49*29*17cm 0.0227 m ³
DY-400W-12-H DY-400W-24-H	400W	240*78*32	170V-265V	12V 24V	33.3A 16.6A	1.1kg	86.00% 86.00%	15pcs/carton weight:17kg 49*29*17cm 0.0227 m ³
DY-500W-12-H DY-500W-24-H	500W	260*78*32	170V-265V	12V 24V	41.6A 20.8A	1.3kg	86.00% 86.00%	15pcs/carton weight:20kg 49*29*17cm 0.0227 m ³
DY-600W-12-H DY-600W-24-H	600W	260*78*32	170V-265V	12V 24V	50.0A 25.0A	1.3kg	86.00% 86.00%	15pcs/carton weight:20kg 49*29*17cm 0.0227 m ³

Product Characteristics :

- Aluminum alloy shell, natural air cooling
- High dependability constant pressure mode output
- IP68 protection level,
can be used all day weather conditions
- 100% full load burn-in test
- Suitable for LED lighting
- Products passed CE,
RoHS certification
- 3 years warranty

CONTACT US

HEAD OFFICE

43 Tintern Way, Harrow, Middlesex HA2 0RZ

EMAIL
info@primeled.co.uk

WEBSITE
www.primeled.co.uk

FOR ANY ENQUIRIES

LONDON

Bhavin Timbadiya +44 7466 544325

REGIONAL OFFICE

Unit 4, Lime Grove, Balsall Heath Birmingham B12 8SY

EMAIL
sales@primeled.co.uk

WEBSITE
www.primeled.co.uk

NATIONWIDE (EXCLUDING LONDON)

Mazar Iqbal +44 7786 477547